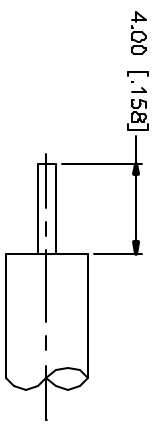
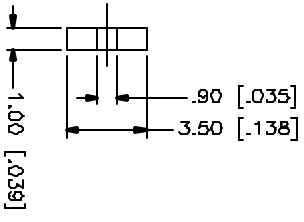
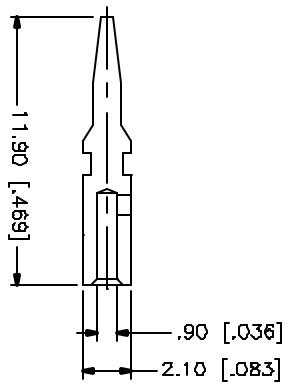
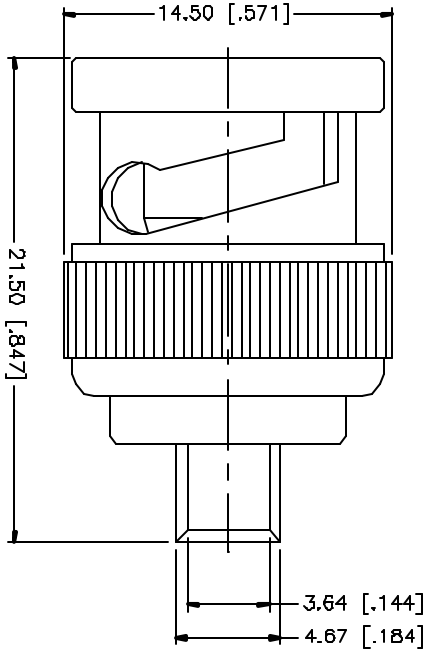


REV.	DATE	DESCRIPTION
A	07/26/99	REFORMAT - CHANGE TO NEXCOTE FINISH
B	05/24/00	MODIFY PLATING / ADD INSULATOR
C	07/08/04	UPDATE CABLE STRIPPING DIMS.



RECOMMENDED
CABLE STRIPPING DIM'S



REV	DESCRIPTION	MATERIAL	FINISH	QTY	DD NOT SCALE DRAWING	APPROVALS	DATE	PART DESCRIPTION	DWG. NO.	REV	NC	SIZE	SCALE
8								Amphenol Connex BNC DIRECT SOLDER PLUG (FOR .141" SEMI RIGID CABLE) 112551	112551.DWG	A	A	NA	
7													
6													
5													
4	CONTACT PIN	BRASS	DEILD	1									
3	INSULATOR	TEFLON	NATURAL	1									
2	BODY	BRASS	GOLD	1									
1	SHELL	BRASS	NICKEL	1									
UNLESS OTHERWISE SPECIFIED, DIMENSIONS ARE IN MILLIMETERS. DIMENSIONS IN [] ARE IN INCHES AND ARE QUOTED FOR REFERENCE ONLY. UNLESS OTHERWISE SPECIFIED, TOLERANCES FOR ALL DIMENSIONS ARE: A - 0.5 - 30mm ± 0.20mm B - 30mm ± 0.40mm C - 120mm ± 0.50mm UNLESS OTHERWISE SPECIFIED, TOLERANCES FOR Holes AND SHEET: .220 - .315 = ± 0.007" .315 - 1.180 = ± 0.015" 1.180 - 4.724 = ± 0.020"						DRAWN: C.R.S. 07/08/04 CHECKED: ISSUED: SHEET: 1 OF 1							